



Our advantages for you

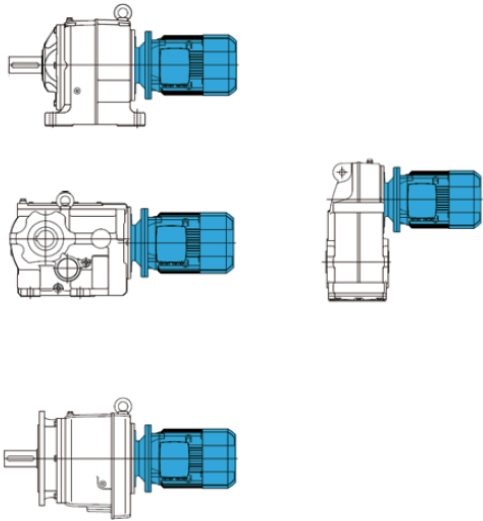


PREMIUM STEPHAN

Your addition in transmission.

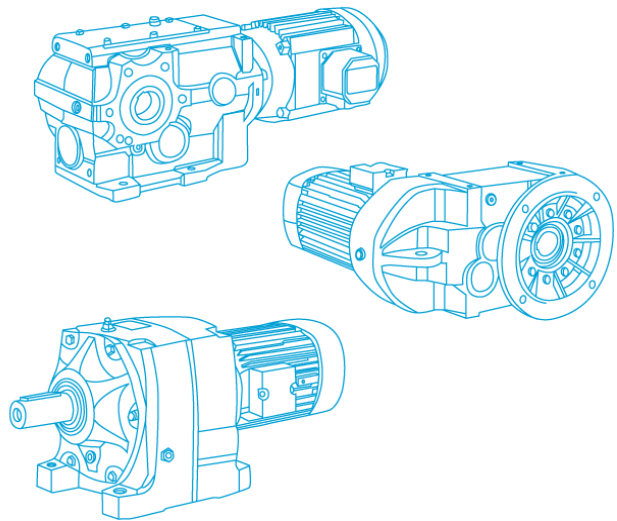
1. INTERCHANGEABLE with other European Brands

Foot print, Base to output shaft and Shaft dimensions are the same as other European Manufacturers allowing MI, MP and MK to be easily installed in to existing applications.



2. TECHNICALLY superior design

Rigid case design and taper bearings on the intermediate shaft gives higher internal strength. S-norm gives low noise, longer life/durability.



4. KIT BUILD means 20 minute build time

Ready painted kits, 20 minute build time, local stockist, same day delivery, no problem!



3. IEC ADAPTOR, STANDARD MOTOR and Dry Connection

Gearhead and Motor Adaptor pre-assembled at the factory. No special tools required to assemble from Easy-Fit sub-assembly system. All parts pre-painted. Add your own brand of motor or use Premium Stephan motor. Dry connection allows easy removal of motor.